



## CHORUS LINE 16™



The CHORUS LINE 16™ is a 16 pixel bar wash luminaire featuring 40W 4-in-1 RGBW LEDs, motorized 4° to 40° zoom and 220° tilt movement, full pixel control, 2,700K - 7,000K adjustable linear color temperature, 64 color presets and 14 unique color macros, electronic strobe and 16-bit variable dimming curve modes, adjustable LED refresh rate frequency and gamma brightness for flicker free operation for TV and FILM, DMX, RDM, Kling-NET and Art-NET protocol support, 5pin DMX, RJ45 etherCON, and powerCON in/out connections, 4 button LCD control panel display, dual quick-lock omega bracket rigging, and a multi-voltage universal auto switching power supply (110-240v).

### FEATURES

**16 Pixel Bar Wash Luminaire with 40W 4-in-1 RGBW LEDs**

**Motorized 4° to 40° Zoom and 220° Tilt Movement**

**RGBW Color Mixing and Full Pixel Control**

**2,700K - 7,000K Linear Color Temperature Range**

**64 Color Presets and 14 Unique Color Macros**

**Electronic Strobe, 16-bit Variable Dimming Curve Modes**

**Adjustable LED Refresh Rate Frequency**

**Adjustable LED GAMMA Brightness**

**Flicker Free Operation for TV and FILM**

**DMX, RDM, Kling-Net, Art-Net Protocol Support**



**SPECIFICATIONS**

**SOURCE**

(16) 40W 4-in-1 RGBW LEDs  
 50,000 Hour Average LED Life\*

\*May vary depending on several factors including but not limited to:  
 Environmental Conditions, Power/Voltage, Usage Patterns (On-Off Cycling), Control and Dimming.

**PHOTOMETRIC DATA**

5700+ Total Output Lumens  
 16,849 LUX 1,565 FC @16.4' (5m) (4° Min Zoom)  
 587 LUX 55 FC @16.4' (5m) (37° Max Zoom)

**EFFECTS**

Motorized 4° to 40° Zoom and 220° Tilt Movement  
 RGBW Color Mixing and Full Pixel Control  
 2,700K - 7000K Linear Color Temperature Range  
 64 Color Presets and 14 Unique Color Macros  
 Electronic Strobe, 16-bit Variable Dimming Curve Modes

**COLOR**

RGBW

**CONTROL / CONNECTIONS**

3 DMX Channel Modes (78 total channels)  
 DMX, RDM, Kling-Net, and Art-Net Protocol Support  
 Adjustable LED Refresh Rate (900-25,000Hz)  
 Adjustable LED Gamma Brightness (2.0, 2.2, 2.4, 2.8)  
 4 Button Touch Control Panel  
 180° Reversible LCD Menu Display  
 8/16-Bit Resolution Zoom and Tilt Movement  
 5pin DMX In/Out  
 RJ45 etherCON In/Out  
 powerCON TRUE1 Power In/Out

**SIZE / WEIGHT**

Length: 42.05" (1068mm)  
 Width: 7.44" (189mm)  
 Vertical Height: 11.46" (291mm)  
 Weight: 47.0 lbs. (21.3 kg)

**ELECTRICAL / THERMAL**

AC 100-240V - 50/60Hz  
 739W Max Power Consumption  
 5°F to 113°F (-15°C to 45°C)

**APPROVALS / RATINGS**



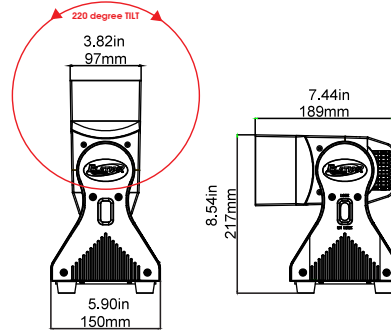
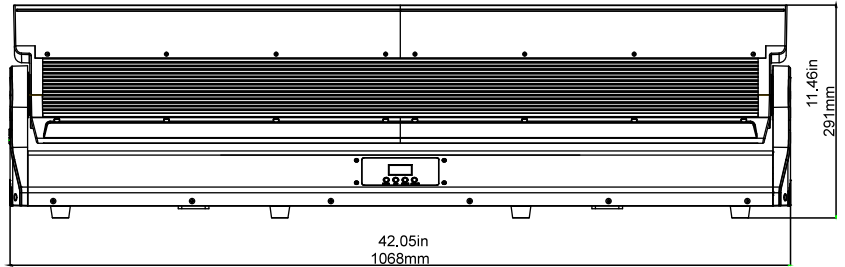
**INCLUDED ITEMS**

Omega Brackets (x2)  
 Safety Cable  
 Power Cable

**ORDERING INFORMATION**

PRODUCT ORDER CODE	
CHO012	CHORUS LINE 16
OPTIONAL ACCESSORIES ORDER CODES	
DRCCL16x6	6-Pack Road Case for Chorus Line 16
TRIGGER CLAMP	Heavy Duty Wrap Around Hook Style Clamp
AC5PDMX5PRO	5 ft. (1.5m) 5pin PRO DMX Cable
CAT6PRO5	5' (1.5m) CAT6 EtherCON Cable
NEU088	3' (1m) powerCON TRUE1 Power Link Cable
	Additional cable lengths available

**DIMENSIONS**



Specifications are subject to change without notice ©Elation Professional 01/31/19

Elation Professional USA | 6122 S. Eastern Ave. | Los Angeles, CA. 90040  
 323-582-3322 | 323-832-9142 fax | www.elationlighting.com | info@elationlighting.com

Elation Professional B.V. | Junostraat 2 | 6468 EW Kerkrade, The Netherlands  
 +31 45 546 85 66 | +31 45 546 85 96 fax | www.elationlighting.eu | info@elationlighting.eu